

TRUMPF
Scientific Lasers:
Optical
Components





1/2" inch adjustable



1" inch adjustable



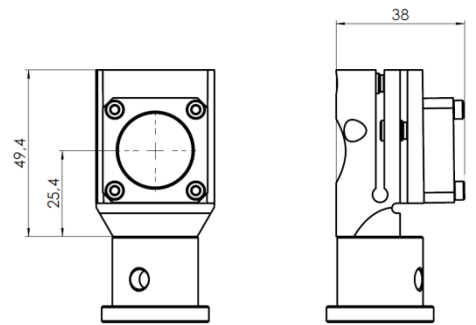
2" inch adjustable



1/2" inch



1" inch



1" inch adjustable

Optical components.

TRUMPF Scientific Lasers offers mirror mounts specially designed for long-term alignment stability in the optical system. Due to solid-state hinges our series of steplessly adjustable mirror mounts still ensures the flexibility of precise adjustment. The mirrors are held by flexible ball bearing shims providing a temperature-independent positioning of the optics. All mounts can easily be attached to standard pedestals via a M4 stud screw. Pedestals are not included.

Mirror mounts.

	1/2" inch adjustable	1" inch adjustable	2" inch adjustable	1/2" inch	1" inch
Standard mirror size* in mm	12.7 x 6.35	25.0 x 6.35	50 x 9.5	12.7 x 6.35	25.0 x 6.35
Adjustment range	+/- 0.5°	+/- 0.5°	+/- 0.5°	-	-
Beam height in mm	25.4 (1")	25.4 (1")	25.4 (1")	25.4 (1")	25.4 (1")
Mirror mount height in mm	43.4	49.4	54	35	41
Mirror mount depth in mm	33	38	49	25	28

*Other sizes feasible upon request.